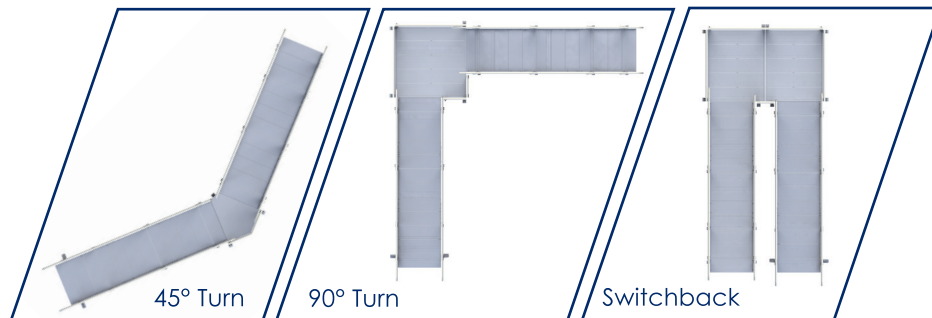




- Ramp sections welded in lengths of 3', 4' & 5'
- Can be easily moved or reconfigured
- Durable and weather resistant
- Little or no site preparation required
- All aluminum construction
- Little or no maintenance
- 45° and 90° turns and switchbacks
- Multiple configurations possible
- ADA handrail extensions, guardrails and gates available
- Accommodates a rise up to 60"
- Comes with a Limited Lifetime Warranty

Multiple configurations possible!



| | |
|----------------------|--------------------------------------|
| Width | 36" |
| Length | As Required - 4' minimum |
| Load Capacity | 100 lbs. per square foot |
| Slope | Adjustable - as required |
| Floor | Slip resistant grooved aluminum |
| Ramp Edge Protection | 4" Curb |
| Handrails | Double 1½" bar - standard height 36" |

